

Oct. 17, 1950

H. O. TODD  
STOCK MARKET BOARD GAME APPARATUS  
USED WITH TWO CONTRASTING DICE

2,526,300

Filed Aug. 16, 1946

4 Sheets-Sheet 1



Fig. 1

Inventor:  
Harry O. Todd.  
by Emory, Booth, Townsend, Miller and Lueder  
Attys

Oct. 17, 1950

H. O. TODD  
STOCK MARKET BOARD GAME APPARATUS  
USED WITH TWO CONTRASTING DICE

2,526,300

Filed Aug. 16, 1946

4 Sheets-Sheet 2

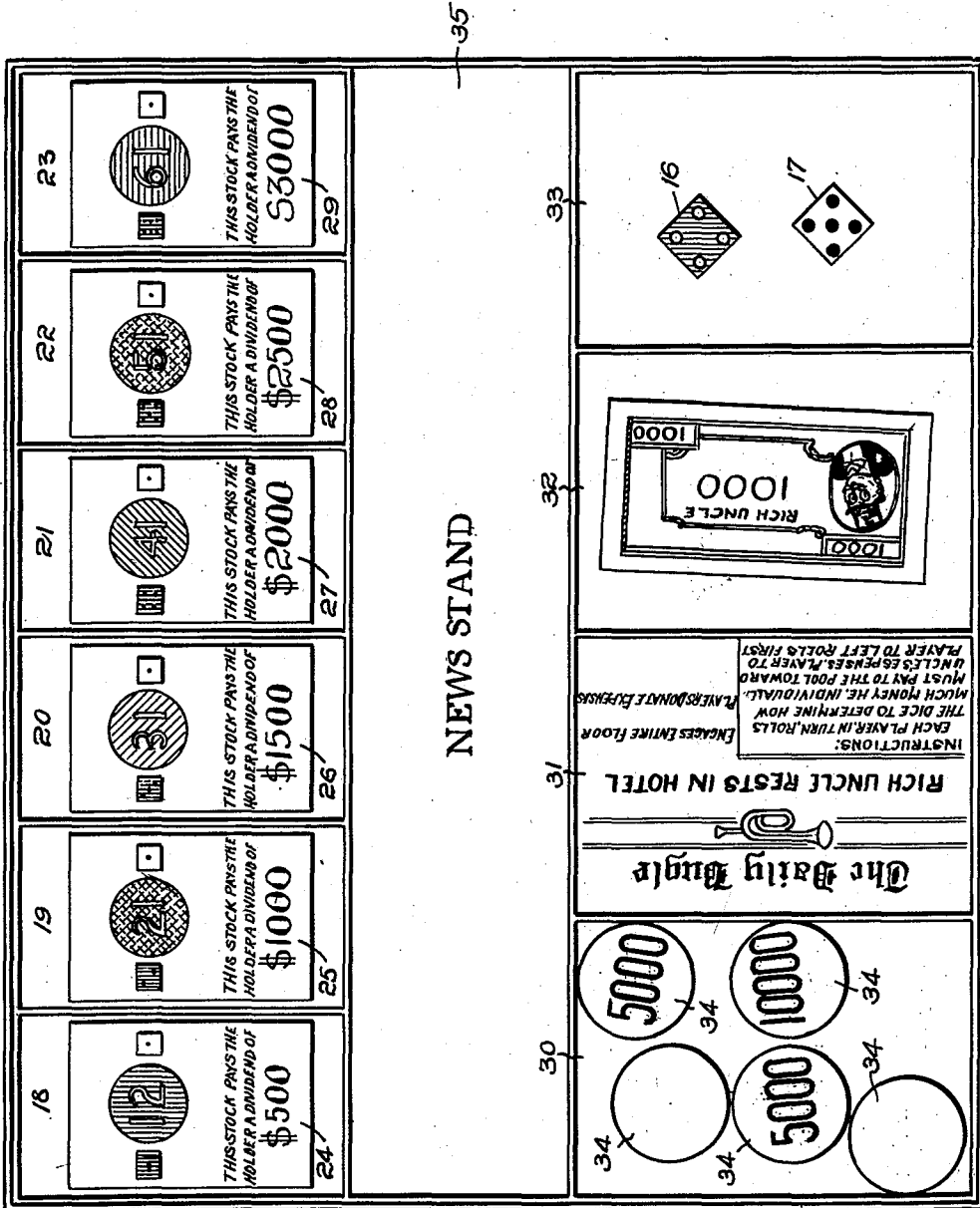


Fig. 2

Inventor:  
Harry O. Todd,  
by Emory, Booth, Townsend, Mullen and Livingston  
Attys

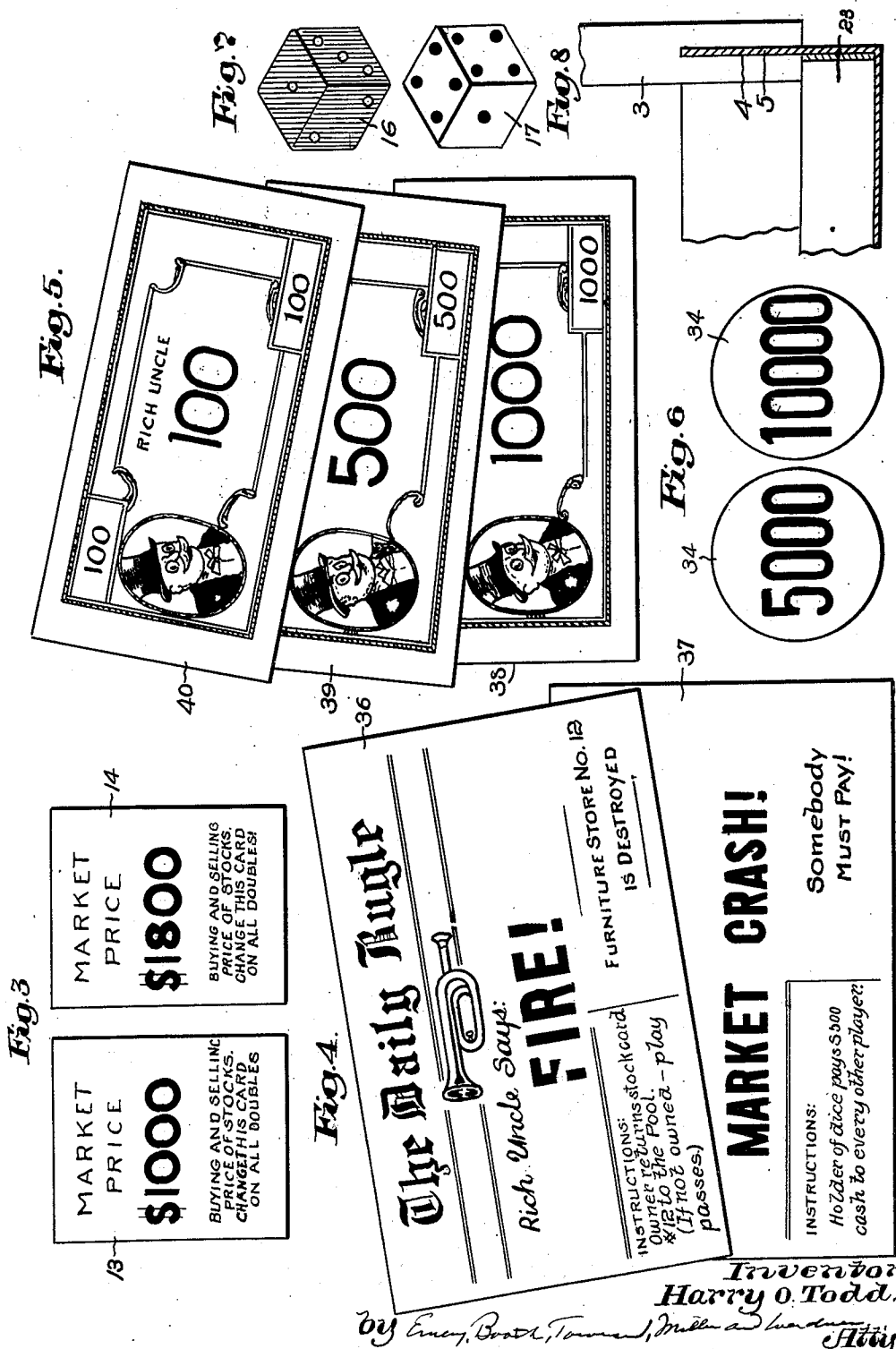
Oct. 17, 1950

H. O. TODD  
STOCK MARKET BOARD GAME APPARATUS  
USED WITH TWO CONTRASTING DICE

2,526,300

Filed Aug. 16, 1946

4 Sheets-Sheet 3



Inventor  
**Harry O. Todd,**  
by Emory Booth, Townsend, Miller and Ward  
*Hays*

Oct. 17, 1950

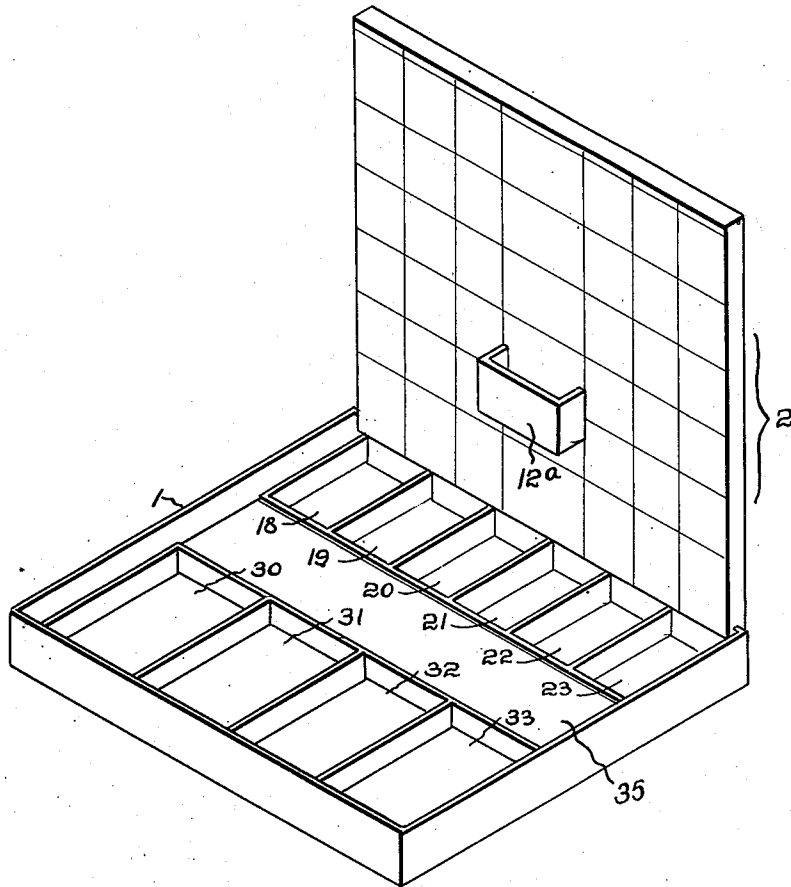
H. O. TODD  
STOCK MARKET BOARD GAME APPARATUS  
USED WITH TWO CONTRASTING DICE

2,526,300

Filed Aug. 16, 1946

4 Sheets-Sheet 4

*Fig. 9.*



*Inventor*  
**Harry O. Todd,**  
*by Emory B. Wood, (Attorney) and Lawrence  
Attys.*

# UNITED STATES PATENT OFFICE

2,526,300

## STOCK MARKET BOARD GAME APPARATUS USED WITH TWO CONTRASTING DICE

Harry O. Todd, Dayton, Ohio, assignor to Parker Brothers, Inc., Salem, Mass., a corporation of Maine

Application August 16, 1946, Serial No. 690,920

16 Claims. (Cl. 273—135)

1

This invention relates to game apparatus, and is intended primarily to provide a game simulating or pertaining to the purchase and sale of stocks listed upon the Stock Board or panel constituting an element or part of the game apparatus.

The Stock Board or panel is adapted or is so constructed as, upon its removal from the game box to begin the game, to be positioned upright in view of and close to the players who should be grouped in a row in front of it. It is marked or otherwise provided with a series of preferably vertical columns in each of which a preferably distinctive type of stock is listed. Each of said columns (herein six, for reasons apparent from the ensuing description) has its own distinctive color or other distinguishing indication or marking, and each such column is divided preferably throughout its length into vertically arranged areas each bearing a number notation. All of said number notations on the entire Stock Board or panel together constitute various possible readings, and preferably, as herein disclosed, all the possible readings of the contrasting dice employed in playing the game. The game apparatus also includes, in the selected embodiment of the invention, a set of Stock cards, a set of Market-Price cards, a set of sheets or slips simulating News-sheets or the like and setting forth or containing instructions to be followed when Doubles are rolled, a certain amount of game or scrip money and also disks or checks marked with larger money amounts and distinctively colored if desired.

In order that the principle of the invention may be readily understood, I have disclosed a single embodiment thereof in the accompanying drawings, wherein the distinctive colors are indicated according to the chart for draftsmen in the Patent Office Rules of Practice.

In said drawings:

Fig. 1 is a front view of the Stock Board or panel as it appears when in upright position and also showing or indicating a wall or edge of the box body by which it is supported in upright position;

Fig. 2 is a plan view of the box body, opened by removal of the cover, and from which box body the Stock Board or panel has been removed, and therefore showing the topmost Stock card in each of six certain compartments of the box body, the News Stand, the pile of so-called Daily Bugle news-slips, the game-money paper strips or scrip, the disks or checks representing the higher money denominations and certain contrasting dice which are rolled or thrown in playing the game;

2

Fig. 3 is a plan view of two of the series of Market-Price cards;

Fig. 4 is a plan view of two of the Daily Bugle news slips;

Fig. 5 is a plan view showing the preferred three denominations of the game-money strips or scrip used in playing the game;

Fig. 6 is a plan view of two of the game-money disks or checks of higher denomination than the paper strips or scrip;

Fig. 7 is a perspective view of certain dice, differentially colored;

Fig. 8 is an edge view, broken away, of a small part of the Stock Board or panel, showing the slitted construction at the base thereof, adapting it to be supported in upright position upon the rear wall or edge of the box body, for playing the game; and

Fig. 9 is a perspective view of the game apparatus in playing position.

Before describing the elements of the game apparatus with reference to the drawings, I will set forth the salient features thereof and the general purpose of the game, which includes the use of special, contrasting dice that are rolled or thrown by each player in turn, this act determining the stock transfers that occur throughout the game. The Stock card bearing the number rolled by the dice must be purchased by the "Roller" (unless he already holds it in his hand), and he thereby acquires the cash dividend printed upon the Stock card, which dividend is paid from the Pool.

The game money is provided to a sufficiently large amount and in such denominations as will most conveniently permit the playing of the game. Such game money, in the present embodiment of the invention, comprises a relatively large number of slips or scrip each marked with a designation of \$1000, another relatively large number each marked \$500 and another relatively large number each marked \$100, there being also preferably employed a relatively large number of disks or checks marked with higher money denominations which, in the present embodiment of the invention, are \$5000 and \$10,000, these disks or checks being preferably distinctively colored.

The number of players is not fixed, but the game is preferably played by three, four or five persons. From the Pool, which comprises the larger compartments of the box containing and in part constituting a portion or feature of the game apparatus, there is distributed among the players \$10,000 each, preferably made up of one \$5000 disk, three \$1000 slips, three \$500 slips and five \$100 slips. The object of the game is to be the first player to acquire \$50,000, or such larger

sum that may be decided upon, if it is desired to make the playing of the game occupy more time.

A basic or controlling feature of the game consists of the contrasting dice which are contrastingly colored or otherwise contrastingly marked, as by a distinguishing mark or indication upon one of them. When the dice are rolled or thrown the numbers appearing uppermost are not added together, as has heretofore very generally been done in games involving dice, but instead are read as a two-digit number, or as a three-digit number if three contrasting dice are employed, as hereinafter explained, as, for example, if the number appearing uppermost upon the die that is required to be first read is "5" and the number uppermost on the other die is "2", the number read is "52", but in reading the dice for dollar value the total is read as hundreds (that is, \$5200 in the example given, thus being read as four digits). There are, therefore, thirty-six possible readings of the two dice, namely, 11 through 16, 21 through 26, 31 through 36, 41 through 46, 51 through 56, and 61 through 66, and of such possible readings of the two contrasting dice the numbers 11, 22, 33, 44, 55, 66 are the result of rolling Doubles, with novel results, as hereinafter set forth. Without so limiting my invention, I will describe the selected embodiment thereof showing only two dice.

The game apparatus, which is packed in a compartmented box or receptacle having a suitable wholly removable cover, includes a Stock Board or panel which, for the playing of the game after removal from the box body, is supported in upright position in suitable manner. While such Stock Board or panel may, for playing the game, be suitably supported upright otherwise than as herein disclosed, I have, in the present embodiment of the invention, provided the lower edge of the suitably reinforced or strengthened Stock Board or panel structure with vertical slits which are fitted by manual manipulation of a player onto the back wall or edge of the box body, thus holding the Stock Board or panel upright. In this or in any other suitable manner the said Stock Board or panel is, in preparation for playing the game, supported at the rear of the open box body and so as to extend upwardly from and in suitable relation to certain transversely arranged compartments of the box that receive the undealt Stock cards.

The said Stock Board or panel, in the disclosed embodiment of the invention, to which my invention is not limited, has six, contrastingly colored or designated, vertical columns respectively pertaining to and listing, in five of the said areas of each column, six general types of Stocks which herein are Retail Stocks, Service and Utility Stocks, Transportation Stocks, Amusement Stocks, Manufacturing Stocks and Blue Chip Stocks. There is also upon the Stock Board or panel, in the present embodiment of the invention, a seventh centrally arranged column which has at a suitable portion thereof a rack in which are received in superposed order the set of Market-Price cards so that the figures of the uppermost card only are visible, thus establishing the controlling market price throughout the time it is so displayed. The said centrally arranged column is not essential, and the said rack may be provided upon any suitable part of the front face of the Stock Board or panel, or elsewhere if desired.

Each of the said six stock-listing columns is, as above indicated, divided, in this embodiment of the invention, into six substantially square areas, and upon each of such areas of each stock-listing column appears one of the possible described readings of the two contrasting dice, such numbers or readings being herein consecutive in each column beginning at the top, as already referred to. Each of the areas in each stock-listing column, excepting the area bearing the number obtained by rolling Doubles, desirably contains some designation or description of stock of the general type included in such column. The area in each column which bears a number obtained by rolling Doubles (that is, 11, 22, 33, 44, 55 and 66) contains directions, such as "Consult Daily Bugle," to be followed by the Roller and in some cases by all players when Doubles are rolled, this adding greatly to the interest and the uncertainty of the game.

The Stock Board or panel, when in upright position, as described, has its six stock-listing columns thus brought into suitable relation with six transversely arranged compartments in the now open box body, and in each of the said six compartments may be positioned (before Stock cards are distributed, four each, among the players) five Stock cards which respectively bear the numbers (other than the double numbers) appearing in that stock-listing column, each such Stock card being colored upon at least some portion or area thereof to correspond with the distinctive color of the stock-listing column to which such Stock card pertains.

All the Stock cards in each compartment bear the legend "This stock pays the holder a dividend of," followed by the divided amount, which, in the present embodiment of the invention, is, reading from the left in Fig. 1, respectively \$500, \$1000, \$1500, \$2000, \$2500 and \$3000, for the six types of stocks previously referred to in detail.

The game apparatus also includes a set of Instruction slips which, in this embodiment of the invention, number twenty, but which number may be varied as desired. These slips herein simulate new sheets, each being entitled The Daily Bugle, and each of the said slips sets forth some happening such as "Rich Uncle Rests in Hotel," "Train Derailed," "Fire," "Heavy Frost Nips Oranges," etc., and each such slip bears instructions pertaining to, and to be followed by one or more of the players in the event that Doubles are rolled. These slips are, prior to playing the game, shuffled and are placed in a pile face-down upon that part of the box body bearing the legend "News Stand."

In playing the game, one of the players is chosen to act as Treasurer and has charge of all Pool transactions and handles the play money, such Stock cards as are undealt by him in beginning the game, the Market-Price cards and The Daily Bugle slips. All the play money, prior to distribution at the commencement of the play, is kept in the several larger compartments of the box body, which are collectively termed the Pool, and during the progress of the game all play-money not belonging to the players is kept in the Pool.

To play the game, the Stock Board or panel is put in upright position in the manner described or in any other suitable manner, and four Stock cards are dealt to each player, the entire set of such Stock cards being shuffled before dealing, and the undealt Stock cards are put in the six compartments at the foot of the

stock-listing columns of the Stock Board or panel according to their color or other designation and that of the stock-listing column to which they pertain.

The play, according to the rules of the game, proceeds to the left from the starting player. Each player whose turn it is to roll the contrasting dice in play is termed the "Roller." He rolls the two dice and reads aloud the result in the manner described, and not by adding the numbers appearing on the top of the dice. If the Roller happens to be holding in his hand the Stock card bearing the number just rolled by him, the Treasurer pays him from the Pool the dividend specified on such Stock card. If, however, another of the players holds such Stock card, the Treasurer pays the dividend to such other player holding that card, but the receiver must pay to the Roller a fee of \$500. If, however, the Stock card is unowned (that is, is undealt and is therefore in the Pool), the player who rolled the number in question must buy such Stock card from the Pool, paying the present market price as shown by the exposed Market-Price card contained in the rack bearing the set of Market-Price cards hereinbefore described.

In the event that Doubles are rolled) which in the present game frequently results, at least partially, in penalties or disadvantages, instead of being, as in other dice games, an advantage) the exposed Market-Price card in the rack is, by the Treasurer, at once removed and put at the back of the rack, thus exposing a new market price on the next card which new price controls until the next Double is rolled, and which new market price may be higher or lower than the just previously controlling one, thus further adding to the interest of the game. The Roller, in the event of rolling Doubles, refers to the Stock Board or panel and follows the instructions appearing thereon for such Doubles, noting that for the Doubles 22 and 66 additional action is required, sometimes by other players also. For each Double rolled or thrown, the Roller is directed to consult the Daily Bugle. Therefore, the Roller takes the inverted top copy of the Daily Bugle from the News Stand, reads it aloud, and then any or all players, including himself, to which the instructions apply, follow such instructions, which include the paying or the receiving of money to or from another player or players or the Pool, the dollar value being one hundred times the actual reading of the two contrasting dice, in the manner described. The act of following the instructions in the event of rolling Doubles is called "Feature Play." According to the preferred rules of the game, in paying or collecting money, the reading of the dice is made in hundreds as hereinbefore stated. If Doubles are rolled or thrown as a part of the feature play, the Market-Price card is again changed, but another Daily Bugle is not consulted as a part of that play.

A Roller, before his turn is reached and before he rolls the two dice, is entitled to sell one Stock card to the Pool at the then market price. It is, of course, advantageous to do this when the market price is high. No Stock cards can be bought except as the Roller is required to do so or in the event the directions of the Daily Bugle require buying. According to the preferred rules of the game, it is advantageous to acquire several Stock cards of the same color for if the number borne by any one of such

color of Stock cards is rolled, the owner is paid a dividend multiplied by as many Stock cards as he owns of that color. The first player to accumulate \$50,000 wins the game, unless a larger limit is set to lengthen the game.

If and when a player finds that he does not have sufficient cash to pay what he owes, he is permitted to sell back to the Pool as many of his stocks as necessary, as a last resort to try to pay his debts in full, this being the only occasion during the game when more than one Stock card can be cashed in at one time. Should a player be unable to pay his debts after turning his available cash over to the Treasurer and selling back to the Pool all of his stock, such player is bankrupt and is obliged to retire from the game.

Having thus described without specific reference to the drawings the elements or instrumentalities that are used in playing the disclosed embodiment of the game and the manner in which the game is preferably played, and having referred so far as is necessary to the rules governing the playing of the game, but which rules do not constitute a part of the invention, I will refer so far as is necessary to the actual structure shown in the drawings, but to which structure my invention is not limited.

The body portion of the box, wherein the game apparatus is packaged and which body portion is actually used in playing the game as a part of its apparatus, is represented at 1 in Figs. 2 and 9. It is provided with a removable cover not herein shown. As the game is packaged for sale or distribution the Stock Board or panel is laid flatwise in the box over the compartments thereof. Said Stock Board or panel is shown in front elevation in Fig. 1 and in perspective in Fig. 9, and a small portion of one of the bottom corners thereof is shown in Fig. 8. The said Stock Board or panel, which in its entirety is indicated at 2, is composed of a sheet of suitable stiff material, such as cardboard, wood, plastic, metal or the like, and in order to reinforce and strengthen the same, it is in the present embodiment of the invention provided along the lateral or side edges with two wooden or other strips and along the top and near the bottom with transverse strips, to all of which the Stock Board or panel is secured in any suitable manner, as by small nails, thus making a rigid structure. A portion of one of the side or edge uprights of the Stock Board or panel is indicated at 3 in Fig. 8, wherein the extreme lower edge of such strip 3 is represented as having a lengthwise extending slot or kerf 4. It will be understood that both of said edge strips 3 are provided with slots or kerfs 4 and that in preparing to play the game one of the players takes out from the box body 1 the Stock Board or panel 2 and, holding it upright, pushes it downward over the rear edge or wall 5 of the box body, as indicated in Fig. 8, with the Stock Board or panel facing the players, the box body 1 thus being directly in front of the Stock Board or panel and between the same and the several players.

The six vertical stock-listing columns are indicated at 6, 7, 8, 9, 10, 11, reading from the left in Fig. 1, and between the columns 8 and 9 is a central column 12 having any suitable reading matter thereon, such as the name of the game and the statement that the first \$50,000 wins the game and also having secured to its front face a rack or supporting member 12a of wood or

7

any other suitable material, and which is of sufficient depth and shape to receive therein the entire set of Market-Price cards, two of which are shown in their entirety at 13, 14 in Fig. 3. The front one of the set of Market-Price cards held in the rack is shown at 15 in Fig. 1, wherein appears the notation "Market Price \$1000" displayed above the top of the rack 12a.

The columns 6 to 11 are herein differentiated from each other by color, the color designations indicated by the chart for draftsmen in the Patent Office Rules of Practice being employed. These colors reading from the left in Fig. 1 are respectively, red, yellow, green, brown, orange and blue, with the exception that the areas of these columns whereon appear the Double numbers 11, 22, 33, 44, 55 and 66 are white. At the top of the columns 6 to 11 are listed the type of stocks, which are themselves respectively indicated in five areas of each of the columns. Preferably, but not necessarily, in addition to the name of the stock, such, for example, as "Furniture Store" in column 6, appears a small picture of furniture, and this manner of portraying all the stocks is followed, in this embodiment of the invention, throughout all the columns 6 to 11.

As already stated, in the disclosed embodiment of the invention, each of the six areas of each stock-listing column bears one of the possible numbers resulting from the throwing or rolling of the two contrastingly colored or otherwise differentiated dice indicated in Fig. 7, wherein a red die is represented at 16 and a white die at 17.

The numerals appearing in the stock-listing column 6 result, of course, from the six rollings of the two contrasting dice where the results or readings are successively, one by the red die and one by the white die, one by the red die and two by the white die, one by the red die and three by the white die, one by the red die and four by the white die, one by the red die and five by the white die, and one by the red die and six by the white die.

In the second column the rollings by the red die are always two, while the rollings of the white die are the same as in the first column, and so on throughout the six columns.

In each column there is, in the disclosed embodiment of the invention, one area wherein the rolling of Doubles is indicated, such an area being the uppermost in the left-hand column 6. Thereon appears the numeral 11 and underneath the legend "Consult Daily Bugle," the same legend appearing in the Double areas 33, 44, 55, of columns 8, 9 and 10. In the Double areas of columns 7 and 11, in addition to the instructions "Consult Daily Bugle" appear respectively, "Collect \$5000 from the Pool" and "Collect \$3000 from the Pool." While any suitable number of Market-Price cards may be employed, there are twenty-one in the set in the disclosed embodiment of the invention.

The box body 1 is represented in its open playing condition in Figs. 2 and 9, but no part of the Stock Board or panel is shown in Fig. 2. At the rear portion of the box body 1 (that is, next to the Stock Board or panel when the latter is upright in playing position) are provided six compartments 18 to 23 extending transversely across the lower ends of said columns and within which are respectively shown certain of the Stock cards at 24 to 29. There are thirty of these Stock cards, being six less in number than the total of the numbers appearing upon the Stock Board or panel. There are, therefore, five Stock cards

8

pertaining to each of the six vertical columns on the Stock Board or panel, and the numbers appearing upon the Stock cards are respectively the same as the numbers other than Doubles appearing in each column.

Herein such Stock card bears a color indication which is the same as that of the column to which the Stock card pertains, and in the disclosed embodiment of the invention the coloring upon each Stock card appears as a circle within which the stock number appears. Each Stock card, as already stated, contains the legend "This stock pays the holder a dividend of," and therebelow appears in dollars the amount of the dividend ranging from \$500 to \$3000. In the disclosed embodiment of the invention the value of the stock dividend is successively greater reading from left to right, but my invention is not limited to such arrangement.

The box body 1 also contains at the front thereof, as shown in Figs. 2 and 9, four transversely-arranged larger compartments 30 to 33 together termed the "Pool," and therein, in the compartment 30 may be placed the disks or checks 34, in the compartment 31 the slips termed "The Daily Bugle," in the compartment 32 the game-money slips or scrip, and in the compartment 33 the dice 16, 17. Between the two sets of compartments is a long space receiving a card-board structure 35 that may be folded like a box cover to provide downwardly extending supporting edges, and which bears the legend "News Stand." Upon this news stand is placed, inverted and shuffled, the set of Daily Bugles.

In Fig. 4 I have shown two of The Daily Bugle news-slips at 36, 37. The news announcements upon these slips differ among themselves and the instructions appearing at the lower left-hand corner of the slips also differ among themselves, thus adding to the interest of the game and increasing the uncertainties thereof. In order to make a complete disclosure of such news announcements and instructions upon the twenty Daily Bugle news-slips without illustrating them all in detail in the drawings, I here set forth in their entirety all the instructions and all news items upon such twenty news-slips.

	Instructions	Rich Uncle Says:
(1)	Each player must buy one more stock from Pool at present market price. (Roller of dice has first choice.)	Business Boom! Stocks climb new heights!
(2)	Each player rolls both dice to determine how much tax he, individually, must pay. Player at your left rolls first.	Income Taxes Due. Each player pays pool.
(3)	Each player, in turn, rolls the dice to determine how much money he, individually, must pay to the pool as his share of Aunt Effie's expenses. Player at your left rolls first.	Aunt Effie Visiting Relatives. Traveling by helicopter. All players help pay her expenses.
(4)	Holder of dice pays \$500 cash to every other player.	Market Crash! Somebody must pay!
(5)	Each player rolls the dice and pays the amount rolled to the owner of the Oil Well.	Oil Discovered! Owner of Oil Well No. 61 collects a fee from each player.
(6)	Holders of Blue Chip Stocks pay Pool for each Blue Chip stock owned. The amount of money to be paid is determined by rolling both dice.	Storm Ties Up Transportation. How many "Blue Chip" stocks do you own?
(7)	Owner of farm rolls both dice to determine amount of cash he collects from Pool. If farm not owned play passes.	Drought! Crops Ruined! Owner of Farm No. 62 collects damages from Pool.
(8)	Owner of diamond stock #63, collects from the Pool, double the dividend value of the stock, which is \$3,000. (If not owned, then buy it—but do not collect the \$3,000.)	Shortage Of Diamonds! Owner of Stock No. 63 cashes in!



	Instructions	Rich Uncle Says:
(9)	Pay Pool \$500 cash	Player Failed To Report Stock Transactions Correctly. Fined \$500.
(10)	Each player in turn rolls the dice to determine how much money he, individually, must contribute to the player who made the happy announcement. Player to your left rolls first.	Holder Of Dice Announces Surprise Marriage. Players chip in for wedding present.
(11)	Owner must sell "Orange Grove" #64 to player at his left for current market price.	Heavy Frost Nips Oranges. Owner of Stock No. 64 "nipped."
(12)	Each player in turn rolls the dice to determine how much money he, individually, must pay Mrs. Sparkplug. The first lady to the reader's right passes a hat, collects the money and keeps it as her own.	Mrs. Sparkplug, the neighborhood go-getter is collecting funds for another Community Project. Have your donations ready, folks.
(13)	All other players roll the dice and pay you the amount rolled. (By the way you may, if you like, tell the story that won the prize.)	You have been awarded the Grand Prize as Best Story Teller at Convention of Traveling Salesmen.
(14)	Each player in turn, rolls the dice to determine how much money he, individually, must pay to the Pool toward Auntie's expenses. Player to your left rolls first.	Aunt Effie Comes to Dinner. Stays all winter. All players help to pay her expenses.
(15)	Each player, in turn, rolls the dice to determine how much money he, individually, must pay to the Pool as his contribution.	Mayor of City needs a new car. Selects the best automobile money can buy. Taxpayers foot the bill.
(16)	Owner of railroad stock #34 rolls the dice and pays Pool. If not owned—buy it at market price, but do not pay damages.	Train Derailed! Owner of Stock No. 34 out of luck!
(17)	Holder of dice receives one stock of his choice, free, from Pool. If none in Pool—play passes.	Market Rise. Everybody happy!
(18)	Owner returns Stock card #12 to the Pool. (If not owned—play passes.)	Fire! Furniture Store No. 12 is destroyed.

The following news-slips do not contain the words "Rich Uncle says," but read as follows:

		Report says:
(19)	First player to left of roller rolls dice and pays the money to the Pool.	Rich Uncle Arrested for Speeding! Bailed out by a Friend.
(20)	Each player, in turn, rolls the dice to determine how much money he, individually, must pay to the Pool toward Uncle's expenses. Player to your left rolls first.	Rich Uncle Rests In Hotel. Engages entire floor. Players donate expenses.

complete number composed of two digits. Such dice might be used in playing other games than that herein disclosed. Such contrasting dice peculiarly combine with the Stock Board or panel in the playing of the herein disclosed game.

While in the selected embodiment of my invention I have shown only two contrasting dice and have specifically described a game wherein two contrasting dice cooperate with other features of the game, it is to be understood that my invention in its broadest aspect is not limited to the use therein of two contrasting dice only. I may, for example, use three or other plurality of contrasting dice. If I use three contrasting dice, they are contrastingly marked to indicate the predetermined order in which they are to be predeterminedly read, and in employing three dice they are colored red, white and blue respectively and are read in that order predeterminedly. This predetermined order or sequence of reading is readily remembered because that is the order in which the colors of the United States flag are always referred to or spoken of.

If three dice are used it is evident that three digits are read, and in that event the numbers upon the Stock Board or panel would consist in each case of three digits. That is, the numbers upon the Stock Board or panel would agree in the number of digits thereon with the number of dice, and, as hereinbefore stated, in reading the dice for dollar value, the total is read as hundreds.

While six-faced or cubical dice are shown, it is to be understood that the dice or dice-like elements may have other number of faces than six, and that in any event the number of spots on the several faces need not actually be in sequence, as there might, for example, be a blank face, or the same number of spots or numbers may appear on two faces, and even in the event of using cubes, the spots or numbers need not be one to six, as other numbers may be used.

Within the scope of my invention, the reading of the digits indicated by the throwing of the dice may be directly applied to the numbered Stock cards in the several compartments 24 to 29, instead of to the digits upon the Stock Board or panel, and this may be done either in collaboration with the Stock Board or panel, or without reference thereto, in which latter case the Stock Board or panel might not be used.

Regarding the so-called News Sheets herein termed The Daily Bugle, they constitute one embodiment of a feature that I refer to as an additional medium or element or directive-notation-bearing device, not used continuously, but on special circumstances arising, as by the throwing of Doubles, to change and direct the immediate current or course of play in the carrying out of the indicated directive notation on said medium or element. This I believe to be broadly new and I claim such matter broadly.

Having thus described one illustrative embodiment of the invention, it is to be understood that although specific terms are employed, they are used in a generic and descriptive sense and not for purposes of limitation, the scope of the invention being set forth in the following claims.

I claim:

1. In a game apparatus, a Stock Market Board having a series of columns, each having its own distinctive marking, and each column being divided into a number of areas, a plurality of which areas bears a different number notation consisting of two digits, and all the number notations

The play-money or scrip are preferably in denominations of \$1000, \$500 and \$100, as represented at 38, 39, 40, in Fig. 5. There may, of course, be provided any suitable number of these play-money slips, but in the selected embodiment of the invention there are ninety-three, made up of twenty-three of the denomination of \$1000, thirty-one of the denomination of \$500 and thirty-nine of the denomination of \$100. This number may be varied as desired. For convenience, as for use in handling money of higher denominations than \$1000, there are provided the disks or checks 34, herein twenty-nine in number and shown in compartment 30 of the Pool, Fig. 2. Their number and denomination may be varied as desired. Herein, all but five bear the denomination \$5000, the remainder bearing the denomination \$10,000, and the two denominations may be contrastingly colored, as, for example, red and orange.

Herein I have shown two dice consisting of two cubes each marked with spots or numbers, one to six, and one or both of said two dice herein shown is or are so marked or designated by color or otherwise as to indicate a predetermined order in which said two dice shall be read as a

on such areas of the Stock Market Board constituting two-digit readings of a pair of dice employed in playing the game, the faces of each of which dice respectively bear different single-digit number indications, said dice each carrying the same single-digit number indications as the other.

2. In a game apparatus a Stock Market Board having a series of six columns each having its own distinctive marking and each column being divided into six areas, each of which areas bears a different two-digit number notation, and all of which number notations on the entire Stock Market Board together constitute all the possible two-digit readings of two cubical dice employed in playing the game, the faces of each of said cubical dice bearing different single-digit number indications, such pair of two cubical dice being differentiated from each other, but bearing upon their respective faces the same single-digit number indications.

3. In a game apparatus a Stock Market Board having a series of six columns each having its own distinctive marking and each column being divided into six areas, each of which areas bears a number notation differing from the number notation on each of the other areas, and all of which number notations on the entire Stock Market Board together constitute all the possible two-digit readings of the two cubical dice employed in playing the game, the faces of each of which two dice respectively bear different single-digit number indications, said two dice each carrying the same single-digit number indications as the other.

4. In a game apparatus, a Stock Market Board having means to support it in upright position in view of the players, said Stock Market Board having a series of columns each having its own distinctive marking and a plurality of said columns being divided into a plurality of areas, at least one of the areas of each of a plurality of said columns bearing a two-digit number notation, which two-digit number notations each constitutes a two-digit reading of two dice employed in playing the game, the faces of each of said two dice bearing different single-digit number indications, said two dice each carrying the same single-digit number indications as the other.

5. A game apparatus in accordance with claim 1, wherein a series of areas of each of the columns bear indicia pertaining respectively to a set of Stock Market Cards that bear corresponding indicia.

6. In a game apparatus a Stock Market Board having a series of six vertical columns each having its own distinctive color and each column being divided into six areas vertically arranged and each of which areas bears a two-digit number notation differing from the number notations in each of the other areas, and all of which number notations on the entire Stock Market Board together constitute all the possible two-digit readings of two cubical dice employed in playing the game, said two dice each carrying the same single-digit number indications as the other, each of said six columns containing in a series of areas thereof indicia pertaining to the same general type or class of stocks.

7. In a game apparatus a Stock Market Board having a series of six vertical columns each having its own distinctive color and each column being divided into six areas vertically arranged and each of which areas bears a two-digit num-

ber notation differing from the number notations in each of the other areas, and all of which number notations on the entire Stock Market Board together constitute all the possible readings of two cubical dice employed in playing the game, the faces of each of which two dice respectively bear different single-digit number indications, said two dice each carrying the same single-digit number indications as the other, each of said six columns containing in five areas thereof indicia pertaining to the same general type or class of stocks, the sixth area of each of said columns bearing a two-digit number notation constituting a possible reading of said two dice when they are rolled "doubles."

8. In a game apparatus a Stock Market Board having a series of six vertical columns each having its own distinctive color and each column being divided into six areas vertically arranged and each of which areas bears a two-digit number notation differing from the number notations in each of the other areas, and all of which number notations on the entire Stock Market Board together constitute all the possible two-digit readings of two cubical dice employed in playing the game, the faces of each of which two dice respectively bear different single-digit number indications, said two dice each carrying the same single-digit number indications as the other, each of said six columns containing in five areas thereof indicia pertaining to the same general type or class of stocks, the sixth area of each of said columns bearing a two-digit number notation constituting a possible reading of said two dice when they are rolled "doubles," and each said sixth area also bearing instructions for the player or players consequent upon rolling "doubles" by said two dice.

9. In a game apparatus a Stock Market Board having a series of six vertical columns each having its own distinctive color and each column being divided into six areas vertically arranged and each of which areas bears two-digit number notations differing from the number notations in each of the other areas, and all of which number notations on the entire Stock Market Board together constitute all the possible two-digit readings of two cubical dice employed in playing the game, the faces of each of which two dice respectively bear different single-digit number indications, said two dice each carrying the same single-digit number notations as the other, each of said six columns containing in a series of areas thereof indicia pertaining to the same general type or class of stocks, said Stock Market Board having a seventh vertically arranged column bearing data pertaining to the use of the Stock Market Board as a game apparatus.

10. In a game apparatus a Stock Market Board having a series of six vertical columns each having its own distinctive color and each column being divided into six areas vertically arranged and each of which areas bears two-digit notations differing from the number notations in each of the other areas, and all of which number notations on the entire Stock Market Board together constitute all the possible two-digit readings of two cubical dice employed in playing the game, the faces of each of which dice respectively bear different single-digit number notations, each of said columns containing in a series of areas thereof indicia pertaining to the same general type or class of stocks listed upon a number of groups of stock cards that bear corresponding

indicia, said two dice each carrying the same single-digit number indications as the other.

11. A game apparatus comprising a Stock Market Board receivable flatwise in a container for transportation and having upwardly extending slit-like formations in the bottom edge thereof receivable upon an upright wall of such container so as to be thereby supported in upright position, such container having an upright wall terminating at the top in a free edge to engage the said slit-like formations in the bottom edge of the Stock Market Board, said Stock Market Board having stock data pertaining to the game upon the face thereof most readily readable with the Stock Market Board in upright position, said Stock Market Board having a series of columns, which are upright when said Stock Market Board is so supported upright upon an upright wall of such container, each of said columns being divided into a number of areas, a plurality of said areas bearing different number notations consisting of two digits and all the number notations of such areas of the Stock Market Board constituting two-digit readings of a pair of dice employed in playing the game, the faces of each of which two dice respectively bear different single-digit number indications, said two dice each carrying the same single-digit number indications as the other one of said two dice.

12. A game apparatus comprising a Stock Market Board receivable flatwise in a container for transportation and having upwardly extending slit-like formations in the bottom edge thereof receivable upon an upright wall of such container so as to be thereby supported in upright position for more easy reading in play, such container having an upright wall terminating at the top in a free edge to engage the said slit-like formations in the bottom edge of the Stock Market Board, said Stock Market Board having a series of columns which are vertically disposed when the Stock Market Board is so supported upright upon a wall of such container, each of said columns having its own distinctive marking and stock designation relating to groups of Stock Market Cards that pertains, because of indicia thereon, to the respective columns of the Stock Market Board, and which Stock Market Cards each has thereon a stock dividend notation respecting the stock to which such Stock Market Card and the corresponding Stock Market Board column pertain.

13. A game apparatus comprising a Stock Market Board receivable flatwise in a container for transportation and having upwardly extending slit-like formations in the bottom edge thereof receivable upon an upright wall of such container so as to be thereby supported in upright position for more easy reading in play, such container having an upright wall terminating at the top in a free edge to engage the said slit-like formations in the bottom edge of the Stock Market Board, said Stock Market Board having a series of columns which are vertically disposed when the Stock Market Board is supported upright upon a wall of such container, each of said columns having its own distinctive marking and stock designation relating to groups of Stock Market Cards that pertain, because of indicia thereon, to the respective columns of the Stock Market Board, and which Stock Market Cards each has thereon a stock dividend notation respecting the stock to which such Stock Market Card and the corresponding Stock Market Board column pertains, each of said columns of the

Stock Market Board being divided into six areas, each area having a two-digit number that is one of the possible two-digit readings of two cubical dice when rolled, the faces of each of which two cubical dice respectively bear different single-digit number indications, said two dice each carrying the same single-digit number indications as the other one of said dice, and the said Stock Market Cards each having a two-digit number which is the same as one of the two-digit numbers appearing on the areas of the column to which such group of Stock Market Cards and the corresponding Stock Market Board column pertain, because of said indicia thereon.

14. A game apparatus comprising a playing board marked with six rows, each divided into a series of at least six areas, six areas of one row bearing the numbers 11 to 16 respectively, six areas of another row bearing the numbers 21 to 26, six areas of another row bearing the numbers 31 to 36, six areas of another row bearing the numbers 41 to 46, six areas of another row bearing the numbers 51 to 56, and six areas of the sixth row bearing the numbers 61 to 66, the said numbers on the playing board in each instance being a two-digit number obtained by the throwing of two contrasting cubical dice, the faces of each of which respectively bear different single-unit indications, said two dice each carrying the same single-unit number indications as the other one of said two dice.

15. In a game apparatus, a Stock Market Board having upon its face six contrastingly-designated, parallel columns standing vertically when the said Stock Market Board is positioned upright for play, each of said columns being divided transversely into six substantially equal areas one above another, the said six areas of each of the six columns bearing indicia, the areas of one of said columns respectively bearing numbers 11 to 16, the areas of another column respectively bearing numbers 21 to 26, the areas of another column respectively bearing numbers 31 to 36, the areas of another column respectively bearing numbers 41 to 46, the areas of another column respectively bearing numbers 51 to 56, and the areas of the sixth column respectively bearing numbers 61 to 66, the said numbers being all the possible two-digit number readings in the same order of two differentiated cubical dice, the said six faces whereof are marked 1 to 6.

16. A game apparatus in accordance with claim 15, wherein those of the said areas that bear double numbers 11, 22, 33, 44, 55 and 66 in the respective columns, contain also playing directions to be followed when such doubles are thrown.

HARRY O. TODD.

#### REFERENCES CITED

The following references are of record in the file of this patent:

#### UNITED STATES PATENTS

Number	Name	Date
495,949	Fear	Apr. 18, 1893
1,087,587	Kennedy	Feb. 17, 1914
1,257,779	Anderson	Feb. 26, 1918
1,481,628	Souza	Jan. 22, 1924
1,508,337	Jensen	Sept. 9, 1924
1,515,170	Reece	Nov. 11, 1924

(Other references on following page)

2,526,300

**15**

UNITED STATES PATENTS

Number	Name	Date
1,518,306	Clegg -----	Dec. 9, 1924
1,525,962	Shastean -----	Feb. 10, 1925
1,527,937	Tienken -----	Feb. 24, 1925
1,536,639	Beek -----	May 5, 1925
1,577,932	Palese -----	Mar. 23, 1926
1,716,022	Baker -----	June 4, 1929
1,760,287	Schippers -----	May 27, 1930
1,779,584	Brown -----	Oct. 28, 1930
2,026,082	Darrow -----	Dec. 31, 1935

Number
2,043,482
2,210,201
2,211,653
2,310,686
2,347,094

**16**

Name	Date
Lord -----	June 9, 1936
Draper -----	Aug. 6, 1940
Halton -----	Aug. 13, 1940
Freer -----	Feb. 9, 1943
Fernandez -----	Apr. 18, 1944

FOREIGN PATENTS

Number	Country	Date
310,848	Italy -----	Sept. 9, 1933