

[54] GAME DEVICE

[75] Inventors: Anne T. Alwell, St. Paul, Minn.; A. Edward Fogarty; Bonnie R. Fogarty, both of Sarasota, Fla.; David A. Pagani, Newport Beach, Calif.; Peter D. Pook, Minneapolis, Minn.

[73] Assignee: Leisure Dynamics, Inc., Minneapolis, Minn.

[**] Term: 14 Years

[21] Appl. No.: 200,532

[22] Filed: Oct. 24, 1980

[51] Int. Cl. D21-01

[52] U.S. Cl. D21/168

[58] Field of Search D21/13, 173, 154, 168; 273/1 E, 1 GC; 434/338, 340, 341, 343, 344; 46/1 F, 135 R

[56] References Cited

U.S. PATENT DOCUMENTS

1,028,842	6/1912	Marshall	46/135 R
3,660,926	5/1972	Lerner et al.	46/1 F
4,196,541	4/1980	Clokey	46/135 R

Primary Examiner—Melvin B. Feifer
Attorney, Agent, or Firm—Schroeder, Siegfried, Vidas, Steffey & Arrett

[57] CLAIM

The ornamental design for a game device, as shown and described.

DESCRIPTION

FIG. 1 is a front elevational view of a game device embodying our new design; FIG. 2 is a rear elevational view of the same; FIG. 3 is a top plan view of the same; FIG. 4 is a bottom plan view of the same; FIG. 5 is a right side elevational view of the same; and FIG. 6 is a left side elevational view of the same.

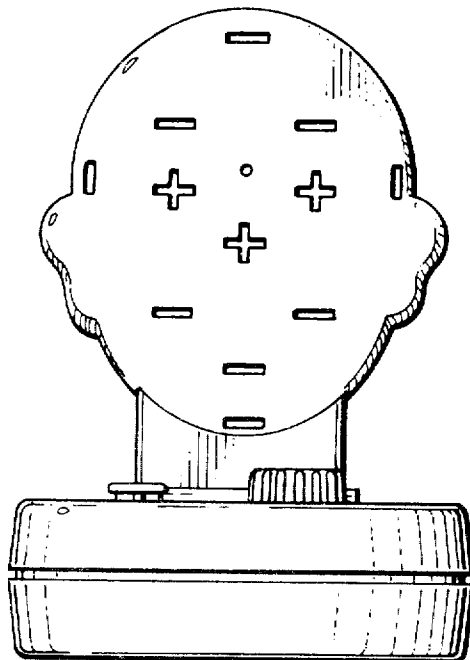


Fig. 1

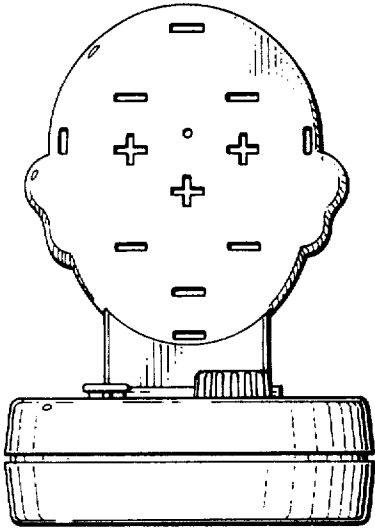


Fig. 2

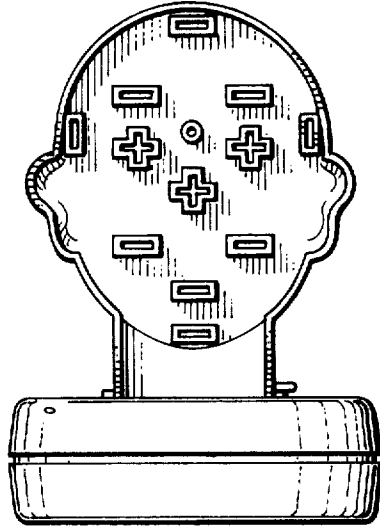


Fig. 3

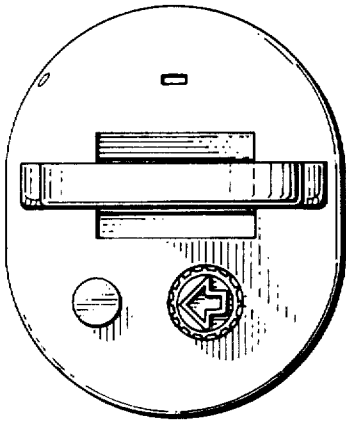


Fig. 4

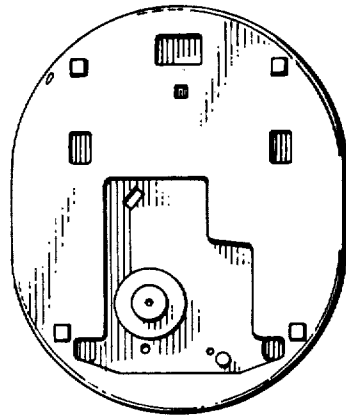


Fig. 5

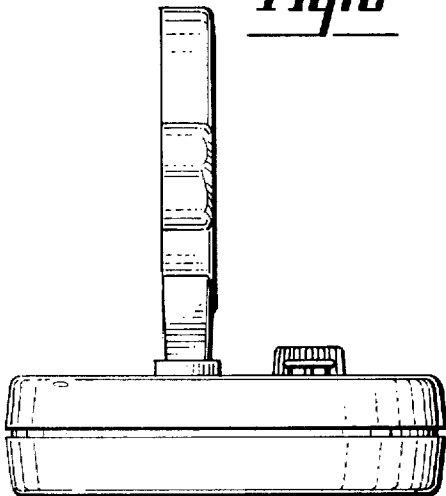
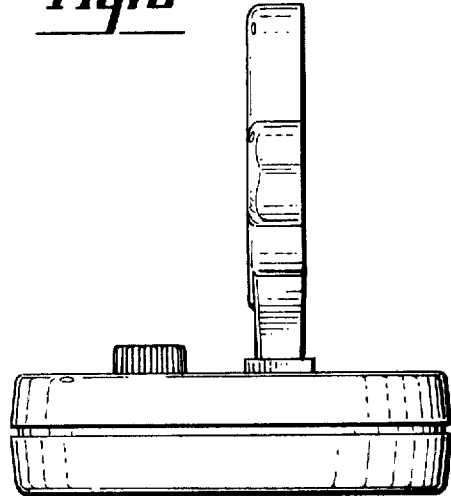


Fig. 6



[54] GAME APPARATUS

1,028,842 6/1912 Marshall 46/135 R
3,660,926 5/1972 Lerner et al. 46/1 F
4,196,541 4/1980 Clokey 46/135 R

[75] Inventors: Anne T. Alwell, St. Paul, Minn.; A. Edward Fogarty; Bonnie R. Fogarty, both of Sarasota, Fla.; David A. Pagani, Newport Beach, Calif.; Peter D. Pook, Minneapolis, Minn.

[73] Assignee: Leisure Dynamics, Inc., Minneapolis, Minn.

[**] Term: 14 Years

[21] Appl. No.: 200,038

[22] Filed: Oct. 24, 1980

[51] Int. Cl. D21-01
[52] U.S. Cl. D21/168; D21/173
[58] Field of Search D21/173, 168, 13, 154;
434/338, 340, 341, 343, 344; 273/1 E, 1 GC;
46/1 F, 135 R

[56] References Cited

U.S. PATENT DOCUMENTS

D. 154,097 6/1949 Brenner D21/173

OTHER PUBLICATIONS

Game equipment sold as a unit under the trademark of Mr. Potato Head.

Primary Examiner—Melvin B. Feifer
Attorney, Agent, or Firm—Schroeder, Siegfried, Vidas, Steffey & Arrett

[57] CLAIM

The ornamental design for a game apparatus, as shown and described.

DESCRIPTION

FIG. 1 is a perspective view of game apparatus embodying our new design, viewed from above and to the left thereof;
FIG. 2 is a front elevational view thereof;
FIG. 3 is a top plan view thereof;
FIG. 4 is a left side elevational view thereof;
FIG. 5 is a rear elevational view thereof;
FIG. 6 is a bottom plan view thereof; and
FIG. 7 is a right-side elevational view thereof.

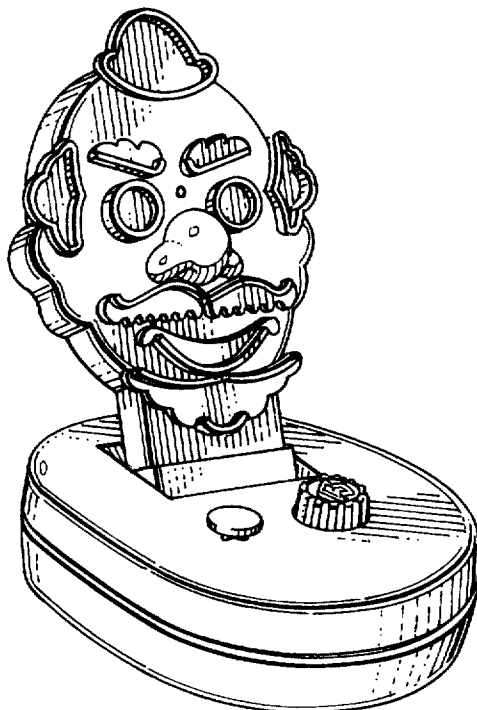


Fig. 1



Fig. 2

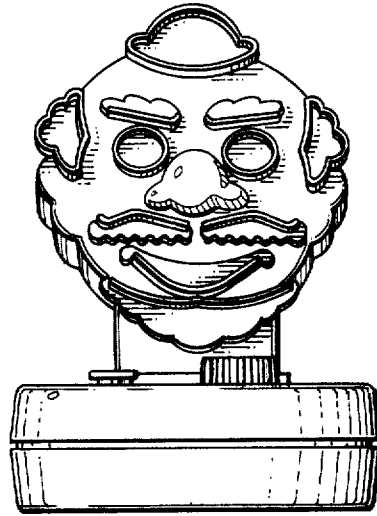


Fig. 3

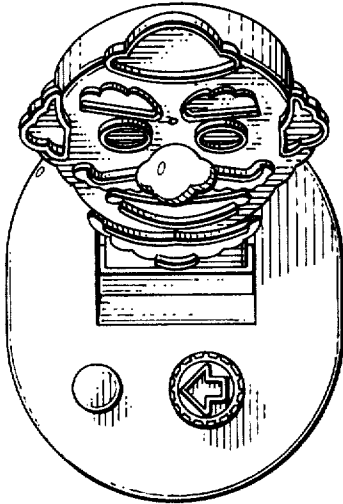


Fig. 4

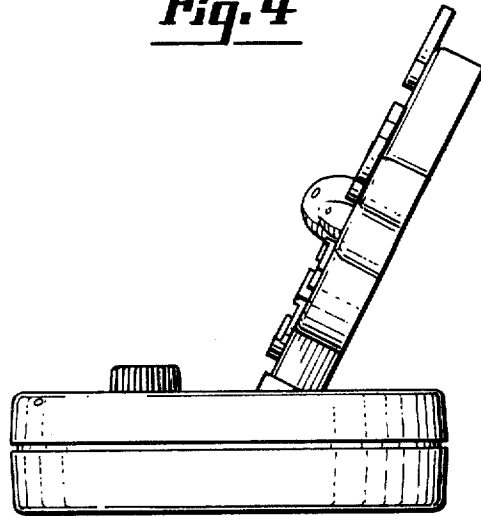


Fig. 5

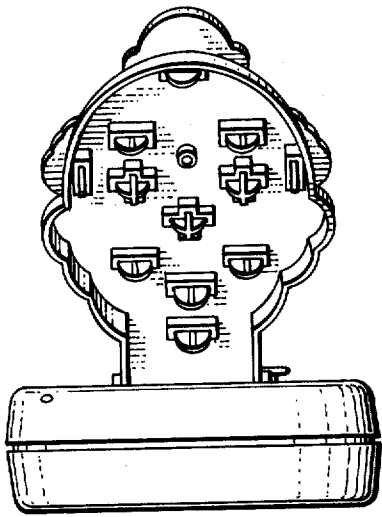


Fig. 6

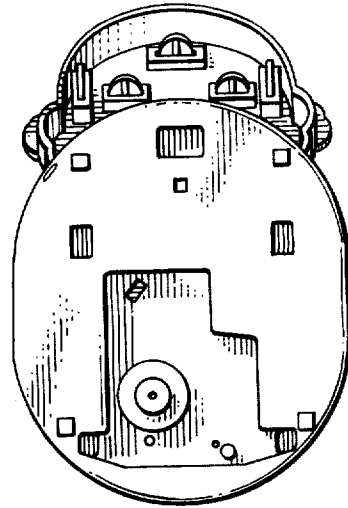


Fig. 7

